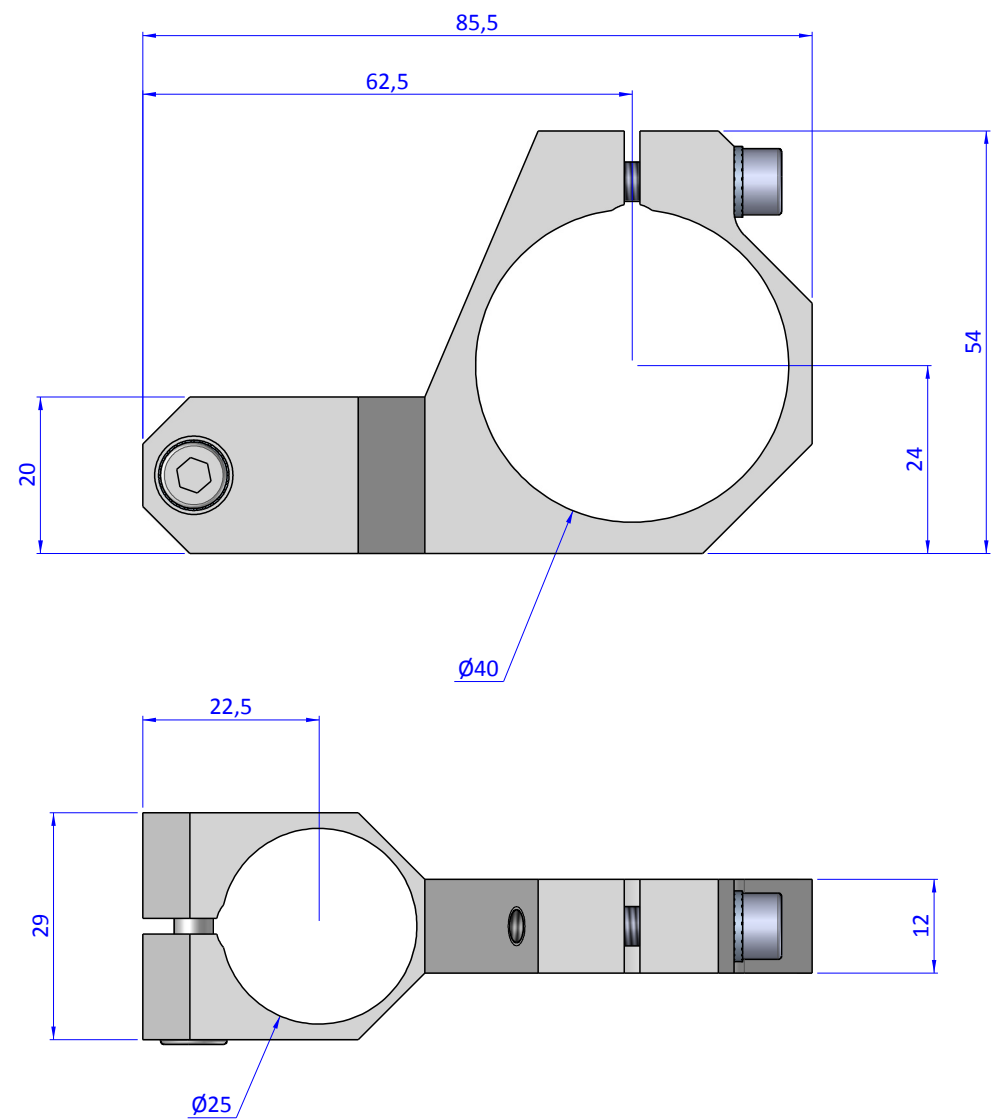
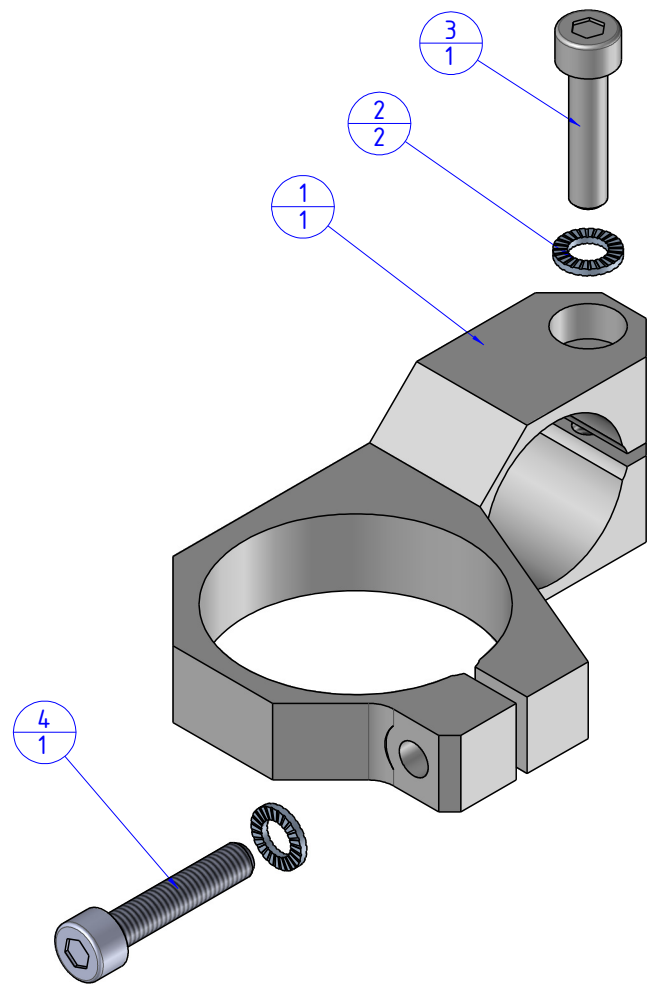



Item	Name	Q.ty
1	KKS.L.4025	1
2	R.5.SCH	2
3	V.TCE5x22	1
4	V.TCE5x25	1



THE PROPERTY OF THE DRAWING IS ESTABLISHED BY LAW. IT IS FORBIDDEN TO PRODUCE OR SHOW IT TO THIRD PARTY, WITHOUT A WRITTEN AGREEMENT.

Format A3
UNI 936-76

 FPS FPSERVICES AUTOMATION		DESIGNED FROM		REVIEW
		FPS Automation		A
GENERAL TOLERANCE		DATE	WEIGHT	
UNI - ISO 2768		03/04/2019	0,060kg	
CLASSE F		CODE		
		CA.KKS.L.4025		CA.KKS.L.4025